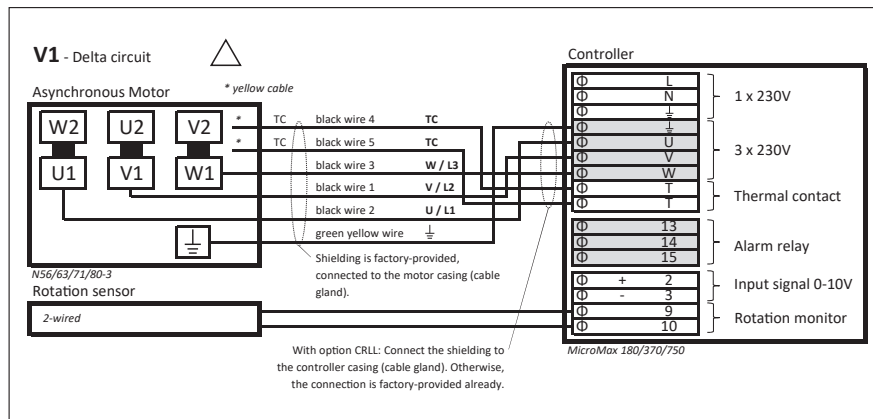
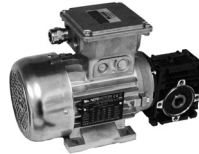


## Asynchronous drives

Rotation direction for asynchronous motors

<b>down</b>	W = 3	<b>up</b>	W = 3
↓	V = 1	↑	V = 2
	U = 2		U = 1

For below wiring diagrams,  
the rotation direction is downwards.

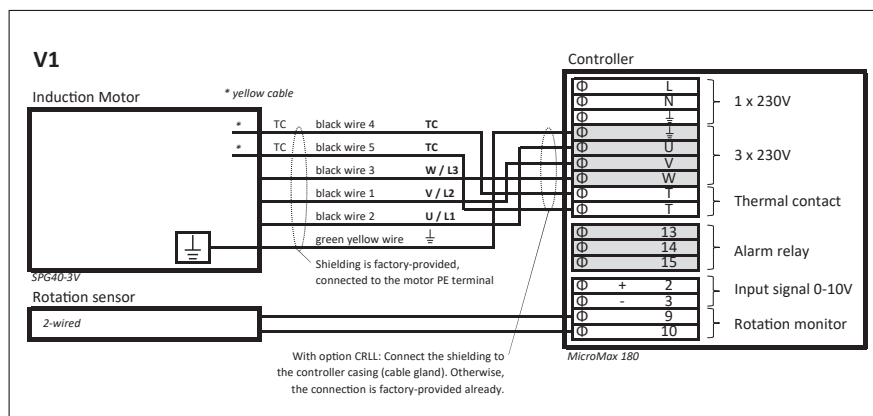


## Induction drive

Rotation direction for inductive motors

<b>down</b>	W = 3	<b>up</b>	W = 3
↓	V = 2	↑	V = 1
	U = 1		U = 2

For below wiring diagrams,  
the rotation direction is downwards.



## Contact

### Headquarters

Hoval Aktiengesellschaft  
Austrasse 70  
9490 Vaduz  
Liechtenstein  
Tel. +423 399 24 00  
Fax +423 399 27 31  
info.klimatechnik@hoval.com  
www.hoval-energyrecovery.com

### United Kingdom

Hoval Ltd.  
Northgate, Newark  
Nottinghamshire  
NG24 1JN  
United Kingdom  
Tel. +44 1636 672 711  
Fax +44 1636 673 532  
heatrecovery@hoval.co.uk  
www.hoval-energyrecovery.com

### Sweden

Hoval AB  
Hedenstorsvägen 4  
555 93 Jönköping  
Sweden  
Tel. +46 36 375660  
Fax +46 36 375668  
info.se@hoval.com  
www.hoval-energyrecovery.com

### China

Hoval Oriental Beijing Heating Tech Co., Ltd  
Rm.1408 Guangming Hotel  
Liangmaqiao Road Chaoyang District  
100125 Beijing  
P.R. China  
Tel: +86 10 646 36 878  
Fax: +86 10 646 42 270  
info@hoval.com.cn  
www.hoval.com.cn