

Wiring diagram

V0 – Variable drive for external controller

Hoval

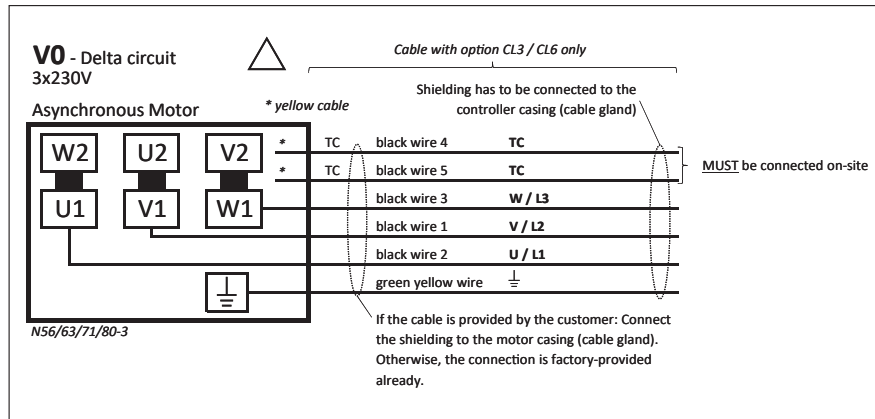
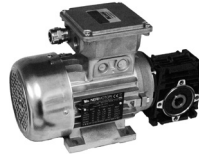
Asynchronous drives

3 × 230 V, Δ-connected, pulley for 50 Hz

Rotation direction for asynchronous motors

down	W = 3	up	W = 3
↓	V = 1	↑	V = 2
	U = 2		U = 1

For below wiring diagrams,
the rotation direction is downwards.



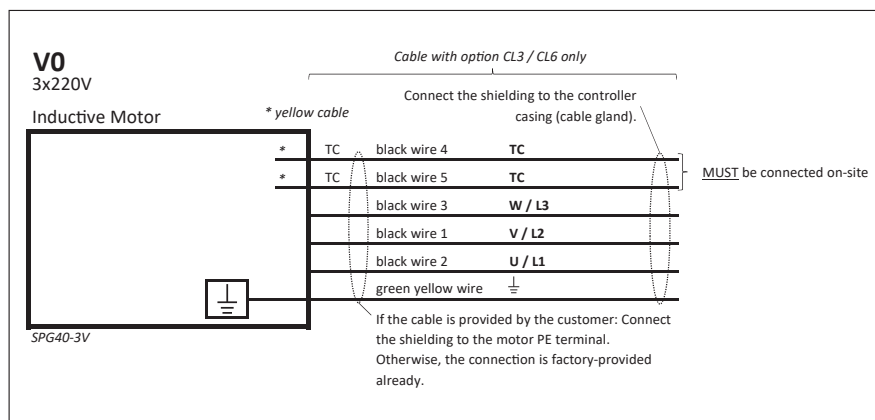
Inductive drive

3 × 220 V, pulley for 50 Hz

Rotation direction for inductive motors

down	W = 3	up	W = 3
↓	V = 2	↑	V = 1
	U = 1		U = 2

For below wiring diagrams,
the rotation direction is downwards.



Contact

Headquarters

Hoval Aktiengesellschaft
Austrasse 70
9490 Vaduz
Liechtenstein
Tel. +423 399 24 00
Fax +423 399 27 31
info.klimatechnik@hoval.com
www.hoval-energyrecovery.com

United Kingdom

Hoval Ltd.
Northgate, Newark
Nottinghamshire
NG24 1JN
United Kingdom
Tel. +44 1636 672 711
Fax +44 1636 673 532
heatrecovery@hoval.co.uk
www.hoval-energyrecovery.com

Sweden

Hoval AB
Hedenstorsvägen 4
555 93 Jönköping
Sweden
Tel. +46 36 375660
Fax +46 36 375668
info.se@hoval.com
www.hoval-energyrecovery.com

China

Hoval Oriental Beijing Heating Tech Co., Ltd
Rm.1408 Guangming Hotel
Liangmaqiao Road Chaoyang District
100125 Beijing
P.R. China
Tel: +86 10 646 36 878
Fax: +86 10 646 42 270
info@hoval.com.cn
www.hoval.com.cn