

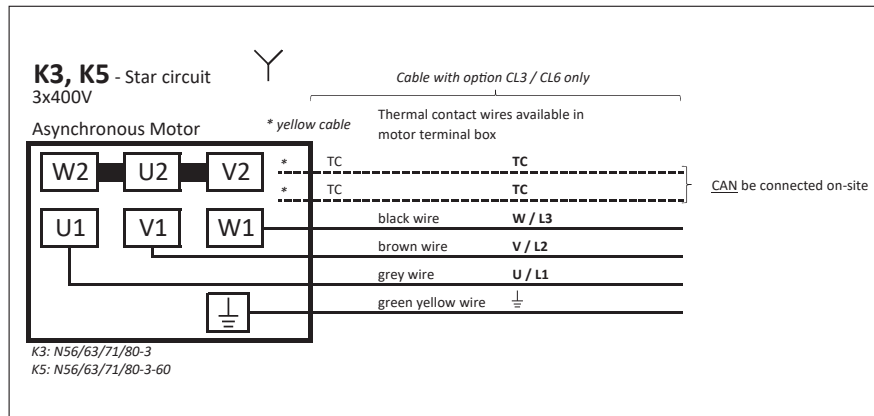
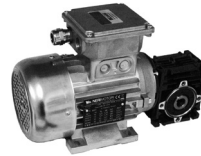
## Asynchronous drives

**K3 – 3×400 V, 50 Hz, Y-connected**  
**K5 – 3×400 V, 60 Hz, Y-connected**

Rotation direction for asynchronous motors

<b>down</b>	W = 3	<b>up</b>	W = 3
↓	V = 1	↑	V = 2
	U = 2		U = 1

For below wiring diagrams,  
the rotation direction is downwards.



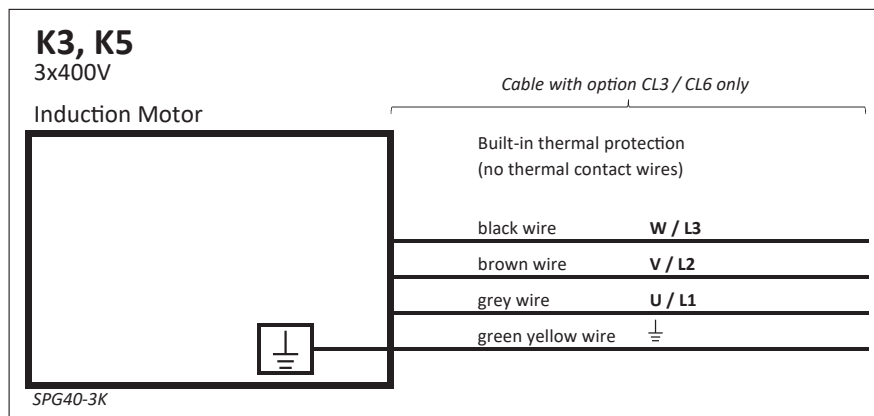
## Induction drive

**K3 – 3×400 V, 50 Hz**  
**K5 – 3×400 V, 60 Hz**

Rotation direction for inductive motors

<b>down</b>	W = 3	<b>up</b>	W = 3
↓	V = 2	↑	V = 1
	U = 1		U = 2

For below wiring diagrams,  
the rotation direction is downwards.



## Contact

### Headquarters

Hoval Aktiengesellschaft  
 Austrasse 70  
 9490 Vaduz  
 Liechtenstein  
 Tel. +423 399 24 00  
 Fax +423 399 27 31  
 info.er@hoval.com  
 www.hoval-energyrecovery.com

### Sweden

Hoval AB  
 Hedenstorpsvägen 4  
 555 93 Jönköping  
 Sweden  
 Tel. +46 36 375660  
 Fax +46 36 375668  
 info.se@hoval.com  
 www.hoval-energyrecovery.com

### China

Hoval Oriental Beijing Heating Tech Co., Ltd  
 Rm.1408 Guangming Hotel  
 Liangmaqiao Road Chaoyang District  
 100125 Beijing  
 P.R. China  
 Tel: +86 10 646 36 878  
 Fax: +86 10 646 42 270  
 info@hoval.com.cn  
 www.hoval.com.cn